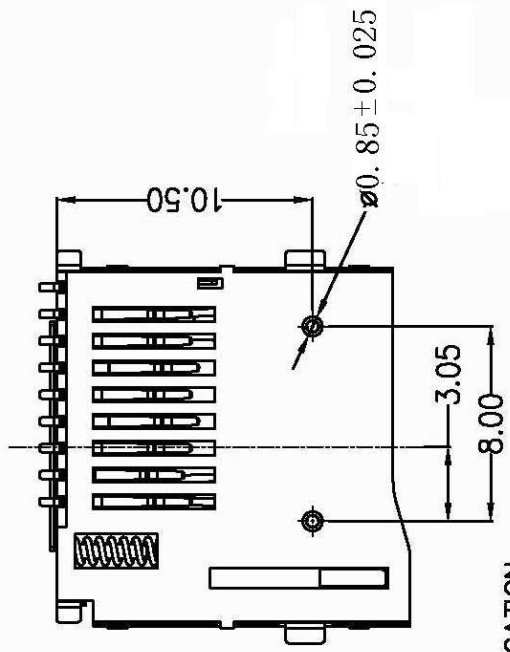
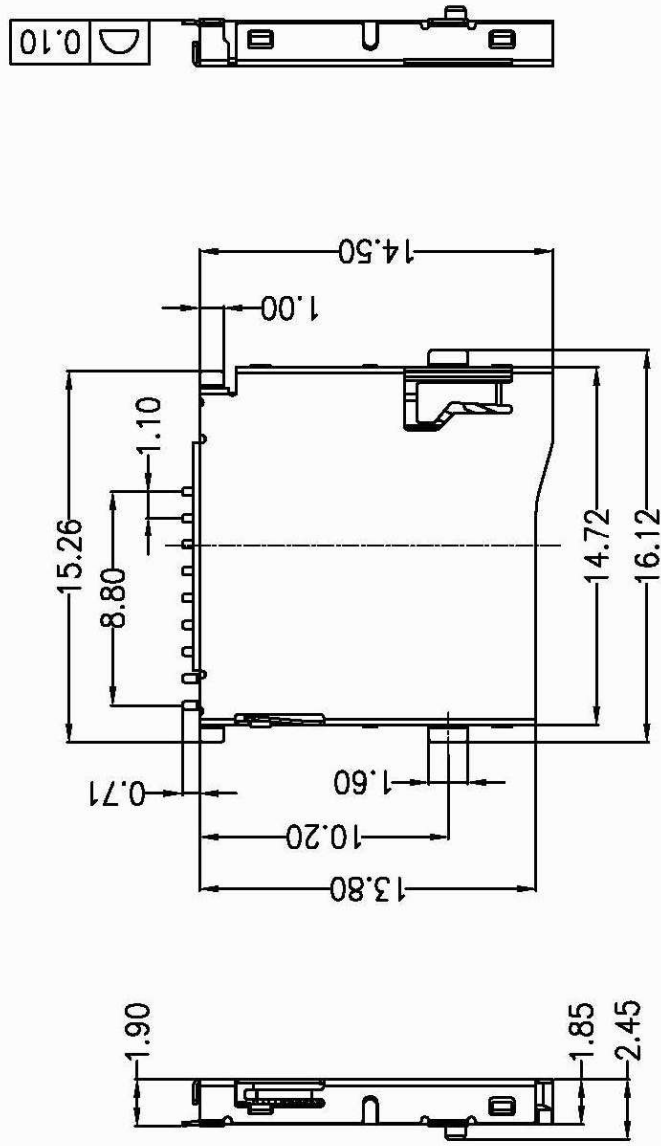


REV.	ECHL. NO.	MODIFY. CONTENT
A	NEW	



SPECIFICATION

1. MATERIAL:

HOUSING: HIGH TEMPERATURE THERMOPLASTIC
UL 94V-0, COLOR: BLACK

CONTACT: COPPER ALLOY

COVER: STAINLESS STEEL

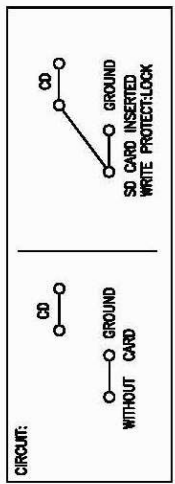
2. PLATING:

UNDERPLATE: NICKEL

CONTACT AREA: GOLD OVER NICKEL

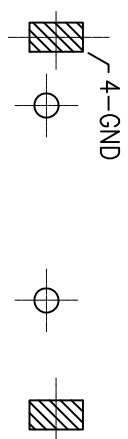
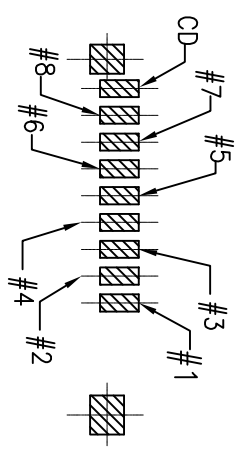
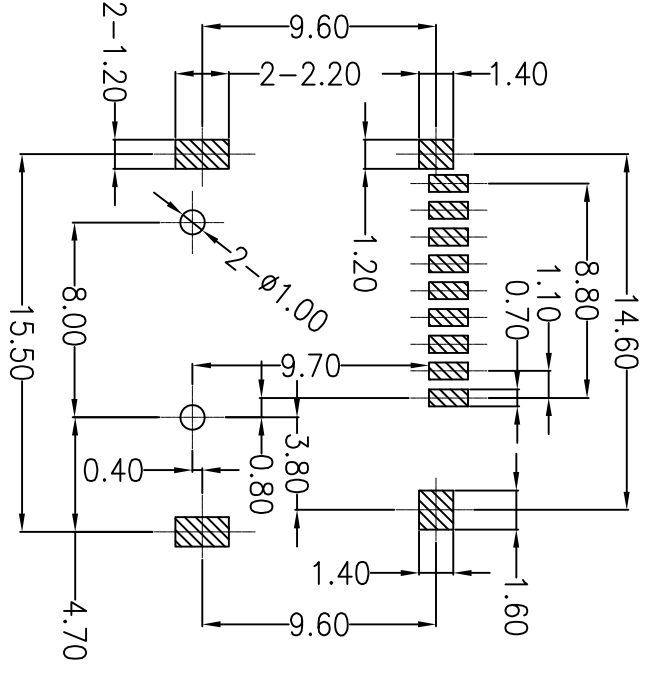
SOLDER AREA: TIN PLATING OVER NICKEL (LEAD FREE).

3. COPLANARITY MUST BE WITHIN 0.10mm



GENERAL		TOLERANCE	DWG. NO.	LYD-TF	PART. NO.	DRAWN	DATE	UNIT	SCALE
X.±0.3	.x.±5'			JIONS-0069	<i>Michael</i> 2011.11.01			mm	1:1
.X±0.25	.x.±2'	REV.	REV.	TF push Card Connector	<i>Joy</i> 2011.11.01	CHECKED			
.XX±0.2	.xx±1'	SIZE	SIZE	1 OF 2	<i>Joy</i> 2011.11.01	APPROVED			
		A4	A4	4. 北京启明电子科技有限公司					
北京玖思启明电子科技有限公司									

REV.	EQU. NO.	MODIFY CONTENT
A	NEW	



PIN ASSIGNMENT

PIN NO.	PIN ASSIGNMENT
1#	DAT2
2#	CD/DAT3 ²
3#	CMD
4#	VDD
5#	CLK
6#	VSS
7#	DAT0
8#	DAT1

GENERAL TOLERANCE		DWG. NO.	LYD-TF	PART. NO.	JIONS-0069	DRAWN	<i>michael</i> 2011.11.01	UNIT	mm	SCALE	1:1
X.±0.3	X.±5°	REV.	A	TITLE	TF push Card Connector	CHECKED	<i>joy</i> 2011.11.01	北京玖思启明电子科技有限公司			
.X±0.25	.X.±2°	SIZE	A4	SHEET	2 OF 2	APPROVED	<i>joy</i> 2011.11.01				
.XX±0.2	.xx±1°										