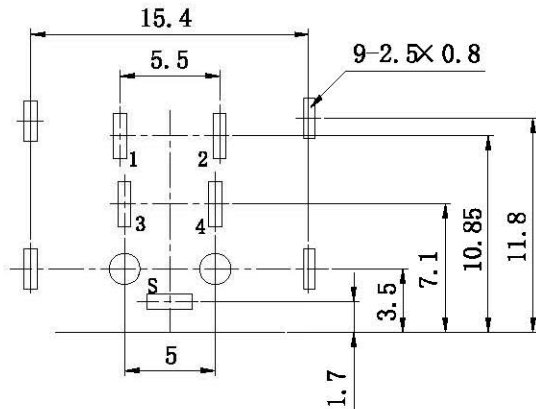
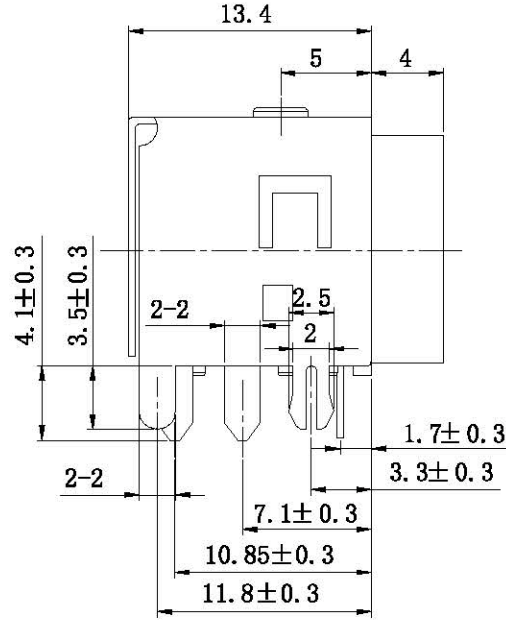
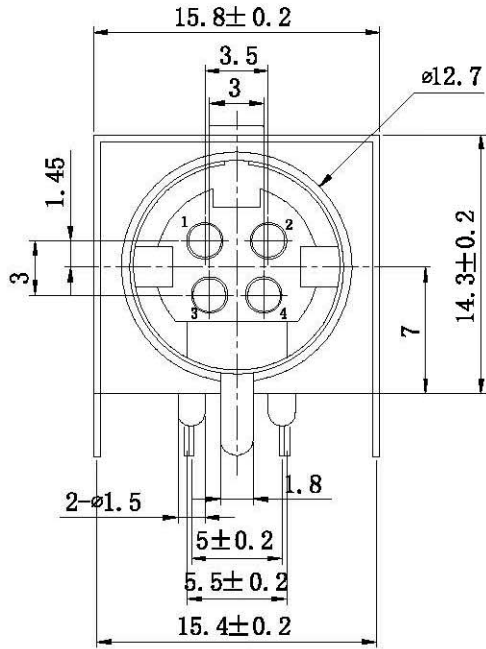


RoHS Compliant

\*Due To Technical Progress, All The Information Provided Is Subject To Change Without Prior Notice.

Rev No	Revision note	Date	Signature	Checked
A/0				



P. C. B LAYOUT

**Electrical:**

Rated Load: DC 30V 0.5A  
 Contact Resistance: 0.03 Milliohms Max  
 Insulation Resistance: 100 Megohms Min  
 Dielectric Withstanding Voltage: 250V AC (50Hz) 1 Minute

**Mechanical:**

Contact Material: Brass  
 Contact Plating: Au or Sn Over Ni  
 Insulator Material: PBT (UL94V-0)  
 Actuating Force: 5-30N  
 Life: 1000 Once

**Environmental:**

Operation: -25°C To +70°C

THIS DRAWING IS A CONTROLLED DOCUMENT		DWG KAI XUAN, XU	DATE DEC. 07. 2010	北京玖思启明电子科技有限公司	
DIMENSIONS INCHES		CHK MIKE	DATE DEC. 07. 2010	TITLE Power DIN female 90° DIP	
TOLERANCES UNLESS OTHERWISE SPECIFIED		APVD PETER	DATE DEC. 07. 2010	PART NO. JIONS-0061	
0 PLC ± — 1 PLC ± — 2 PLC ± 0.20 3 PLC ± 0.25 4 PLC ± 0.30 ANGLES ± 3°		UNITS MM	SCALE 3 : 1	SIZE A4	DRAWING NO. JIONS-0061
		CAGE CODE 00871	FILE PATH A/D/YTCOTZ/MINI DIN	SHEET 1 OF 1	REV A