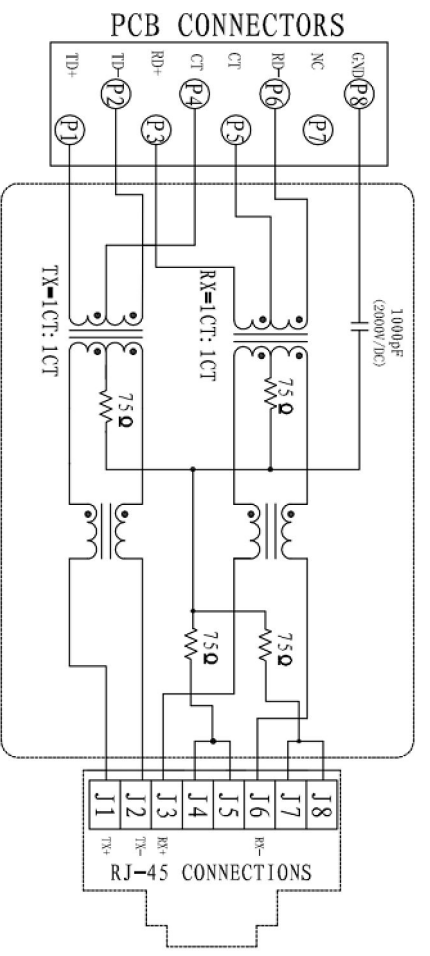


P.C.B RECOMMENDED HOLE LAYOUT SEEN FROM COMPONENT SIDE.
ALL CENTERLINE DIMENSIONS ARE BASIC



LED Specification

Standard LED Color	LED Wavelength	Forward (V _F TYP)	Luminous Intensity
Green	560-580 nm	2.5V	9-25 MCD
Yellow	580-610 nm	2.5V	9-30 MCD

- 4.1. Connector Material:
Housing:Thermoplastic UL94 V-0
Contact/Shield:Cooper alloy
Shield Plating:Nickel
Contact Plating:Selective gold 6u" Min
- 4.2. Tolerances comply with F.C.C dimension requirements
- 4.3. Durability:800 mating Min

- LED intensity/wavelength measured with Photo Research PR-650 Colorimeter
- With a forward current of 20 mA, Absolute Maximum Ratings (T_a=25°C)

2. Operating and Storage Temperature:

- Operating Temperature:-40°C to +85°C
- Storage Temperature:-40°C to +85°C

- Common Mode Rejection: -30dB Minimum @1MHz-100MHz
- Cross Talk: -30dB Minimum @1MHz-100MHz

- Electrical Specifications:@25°C
- Isolation Voltage: 1500V/AC(Input to Output)
- OCL:350uH Minimum @100KHz 100mV 8mA DC
- Insertion Loss: -1.2dB Maximum @100KHz-100MHz
- Return Loss: -18dB Minimum @1MHz-30MHz
-14dB Minimum @30MHz-60MHz
-12dB Minimum @60MHz-80MHz

REV	ECN NO	DESCRIPTION	DATE
A	JIONS-RJ45-0013		2019/04/16
1			

Jions 北京玖盟启明电子科技有限公司

X	±0.30	APPD:	Mr.wu	TITLE:
.X	±0.20	Mr.wu		RJ45 脚后 3.05mm 带屏蔽
.XX	±0.10	CHKD:	Mr.wu	带灯 带滤波器
.XXX	±0.05	DR:	Gus chong	PART NO: JIONS-0045
.X'	±1'			

UNITS:	SCALE:	DWG NO:	SHEET:10'
mm	1:1	WWW. JIONS.COM.CN	REV: