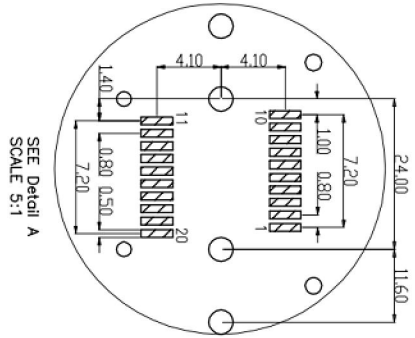
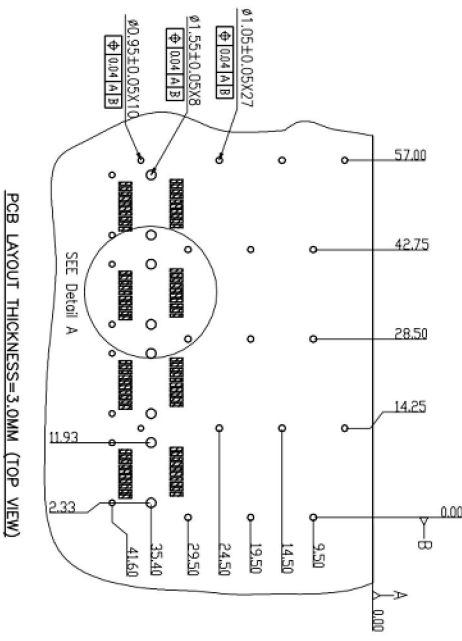


EMI CLIP WITH (SFP) MSA BOARD AND BEZEL LOCATIONS

DIMENSIONS OF EACH INNER CAGE DESIGNED TO FUNCTION WITH SFP TRANSCEIVER



NOTE:
 1. MECHANICAL: SHIELD(CAGE) MATERIAL:
 1. THICKNESS=0.25mm, COPPER ALLOY,
 2. PLATED: SELECTIVE PLATED OVER NICKEL PLATED NICKEL
 2. TEMPERATURE: DR PLATED LEAD FREE TIN.
 OPERATION: -55°C~ +85°C
 STORAGE: -55°C~ +85°C
 PART NUMBER : SFP014

PCB LAYOUT THICKNESS=3.0MM (TOP VIEW)

北京玖思启明电子科技有限公司

REV	ECN NO	DESCRIPTION	DATE
A	JIONS-SFP-0009		2013/03/11

X: ±0.30	APPD: Mr.wu	TITLE:
X: ±0.20	CHKD: Mr.wu	1*4 SFP 外壳压接
X: ±0.10	DR: Gus chong	PART NO: JIONS-SFP-0009
.XXX±0.05	UNITS: mm	DWG NO: www.jions.com.cn
X: ±1°	SCALE: 1:1	客户图
		SHEET: 10/1

1 2 3 4 5 6 7 8 9 10

F E D C B A

F E D C B A