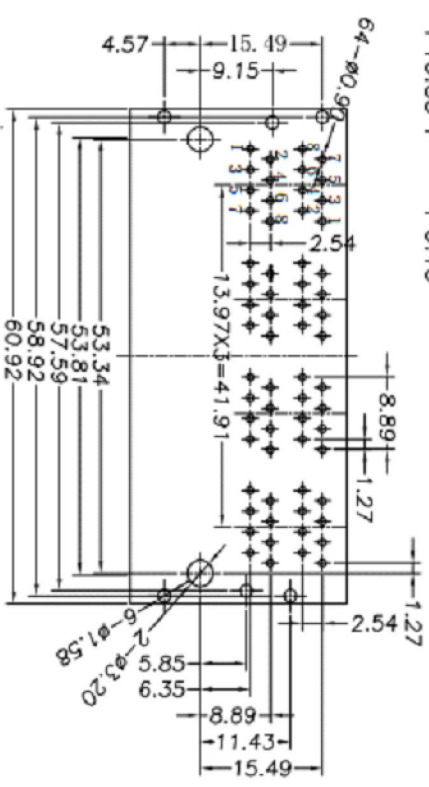
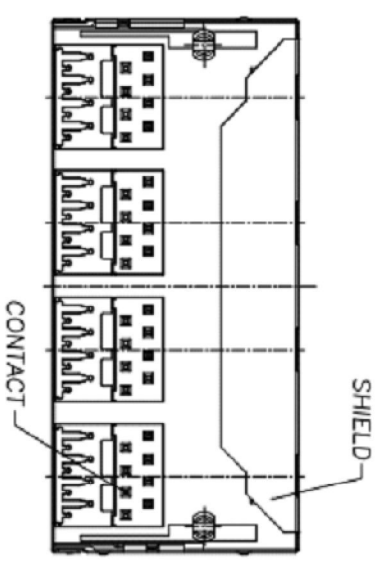
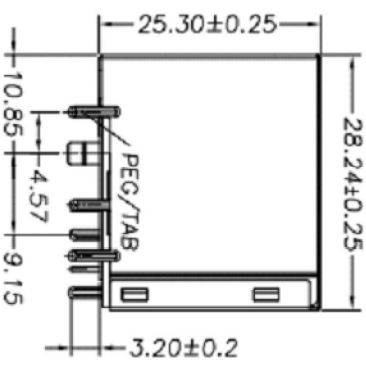
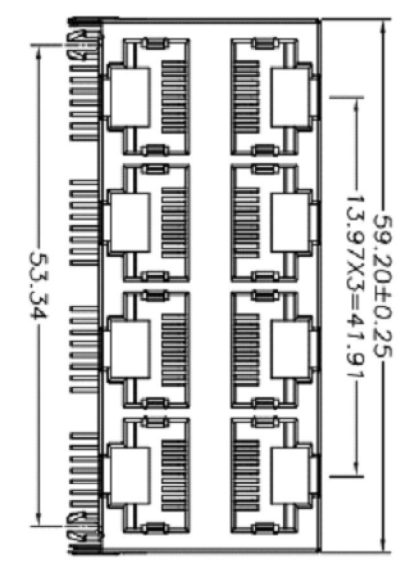


1 2 3 4 5 6 7 8 9 10



- NOTES:**
- ELECTRICAL:**
- 1. VOLTAGE RATING : 125 VAC RMS.
 - 2. CURRENT RATING : 1.5 AMP.
 - 3. CONTACT RESISTANCE : 30 MILLIOHMS MAX
 - 4. INSULATION RESISTANCE : 500 MEGOHMS MIN @ 500 NDC.
 - 5. DIELECTRIC STRENGTH : 1000 VAC RMS 50Hz or 60Hz, 1MIN.
- MECHANICAL:**
- 1. HOUSING & INSERT MATERIAL : PBT UL94V-0.
 - 2. CONTACT MATERIAL : DIAMETER∅.45MM PHOSPHOR BRONZE GOLD PLATING OVER NICKEL.
 - 3. SHIELD : 0.20"0.25MM THICKNESS BRASS WITH NI PLATED.
 - 4. MATING/UNMATING FORCE : 2.2KG. F MAX.
 - 5. RETENTION STRENGTH : 7.7KG. F MIN BETWEEN JACK AND PLUG.
 - 6. OPERATING LIFE : 600 CYCLES MIN.
- ENVIRONMENTAL:**
- 1. STORAGE : -10°C ~+40°C RELATIVE HUMIDITY<70%
 - 2. OPERATION : -40°C ~+85°C



PC Board Layout

北京玖思启明电子科技有限公司		
JIONS-RJ45-0006	DESCRIPTION	DATE
REV A	ECN NO	2012/01/01

X: ±0.30	APPD: Mr.wu	TITLE:
X: ±0.20	CHKD: Mr.wu	2*4 RJ45 不带灯 带屏蔽
XX: ±0.10	DR: Gao chong	PART NO: JIONS-RJ45-0006
.XXX: ±0.05	UNITS: mm	DWG NO: www.jions.com.cn
X: ±2°	SCALE: 1:1	客户图 SHEET:10/1
X: ±1°		REV:

1 2 3 4 5 6 7 8 9 10